

# FLOREN

## Lampshade Fitting Types

Shade Sizes 5" to 7"

### Candle Clip

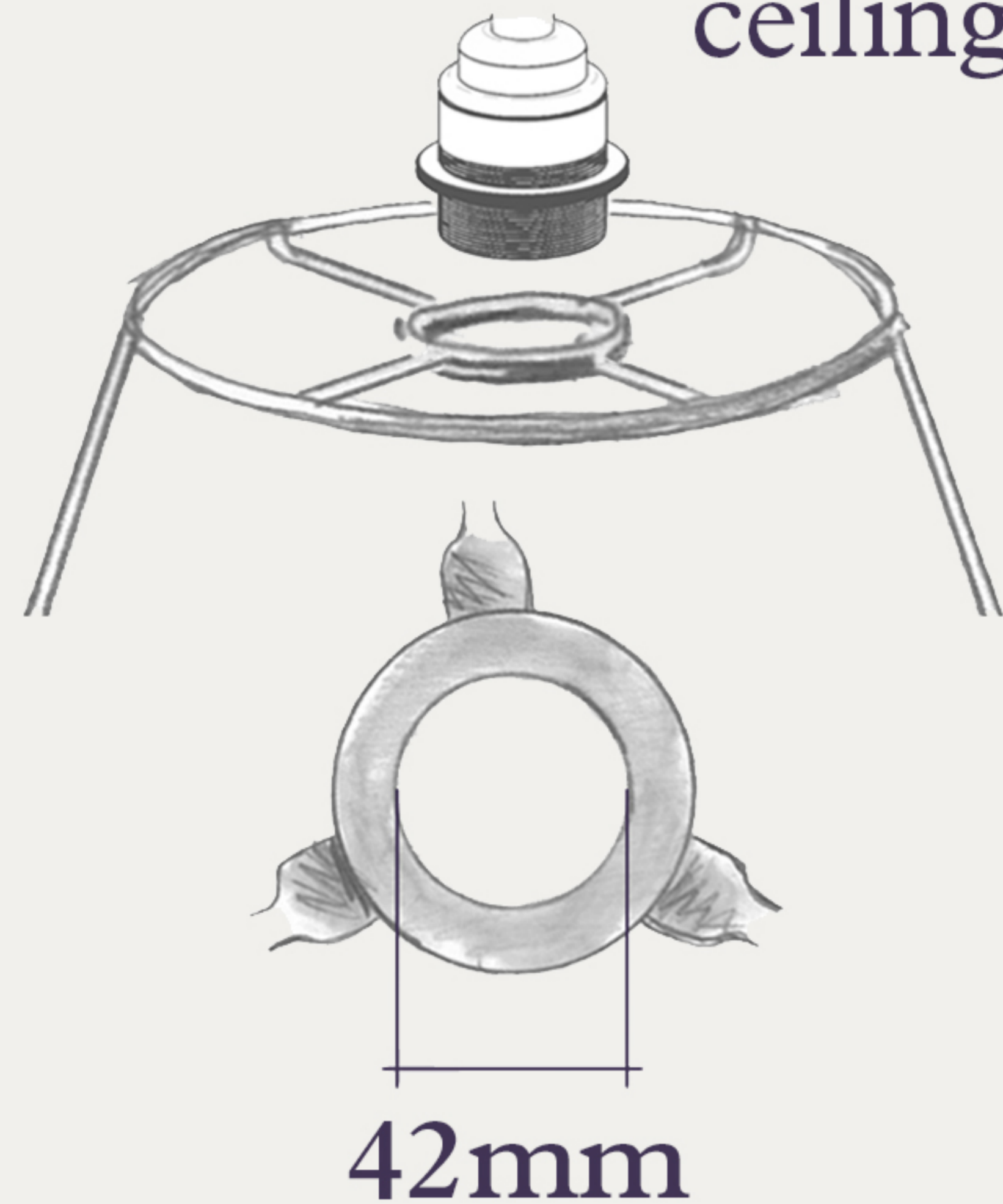
for wall lights



Shade Sizes 5.5" to 24"

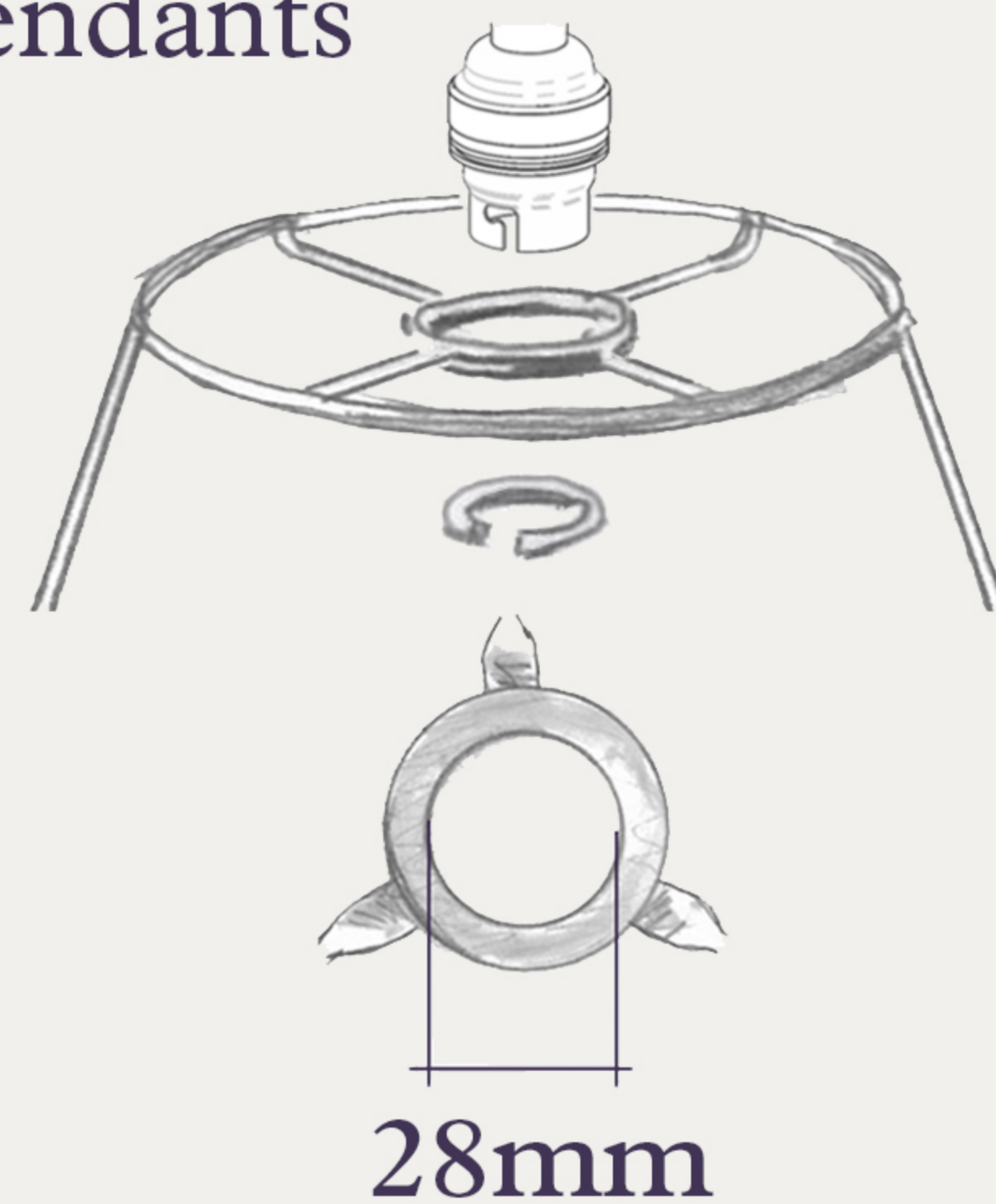
### ES Pendant

for desk lamps, reading lights or ceiling pendants



42mm

ES Fitting (European)  
Our pendant shades are supplied with ES fittings



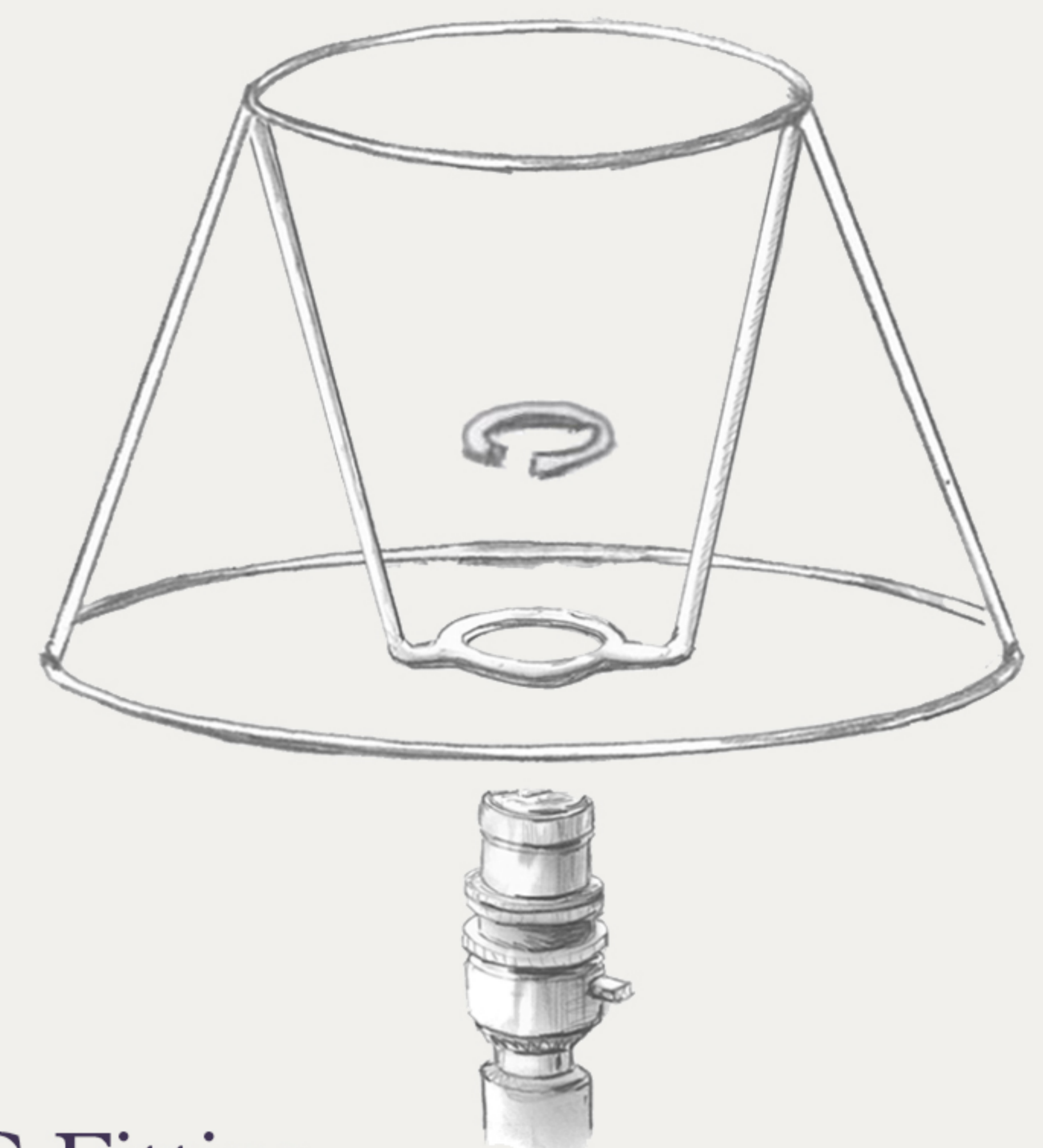
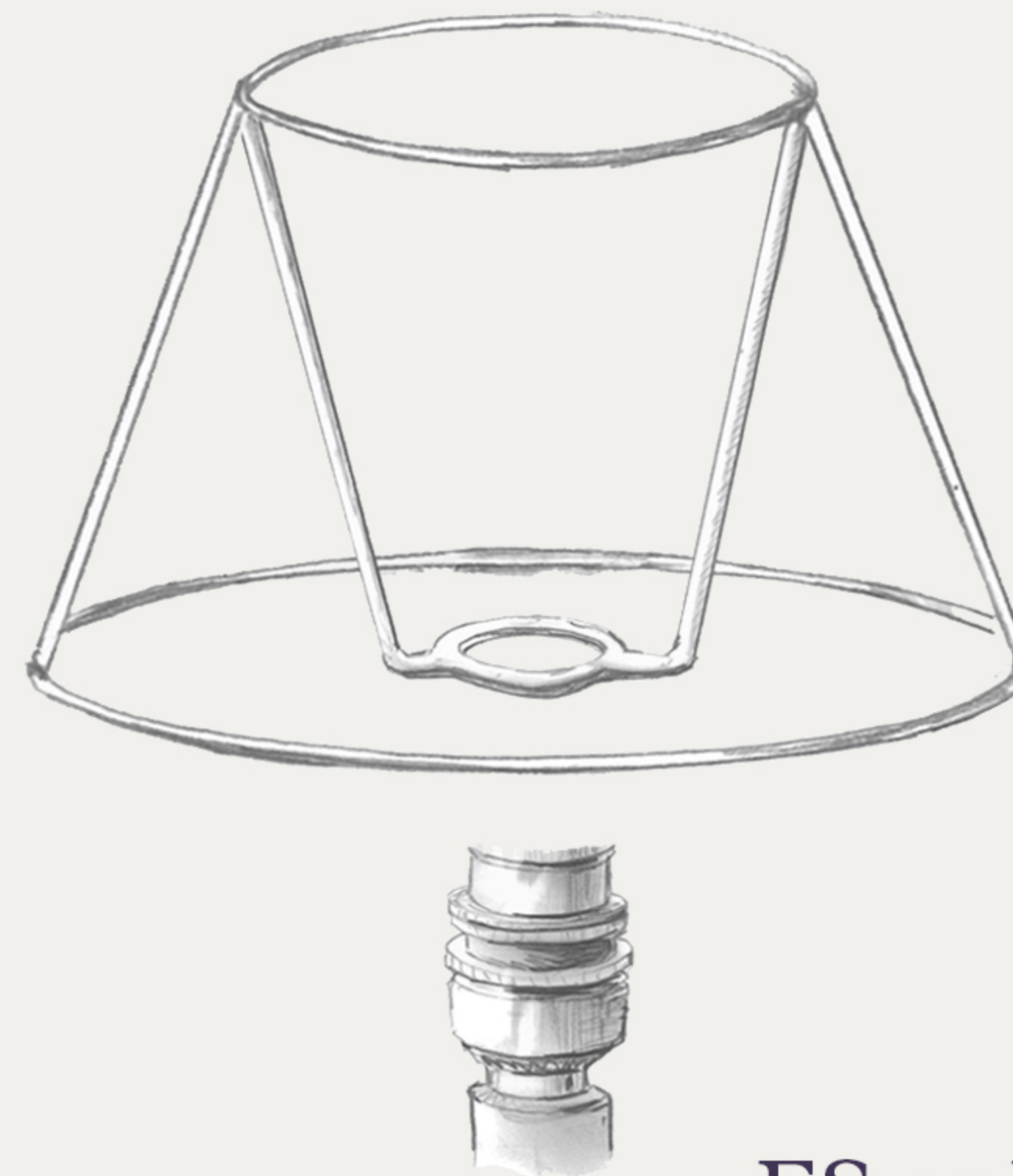
28mm

BC Fitting (British)  
Convert to BC fitting using plastic ring reducer supplied

Shade Sizes 8" to 12"

### ES Fixed Gimble

for wall lights or table lamps



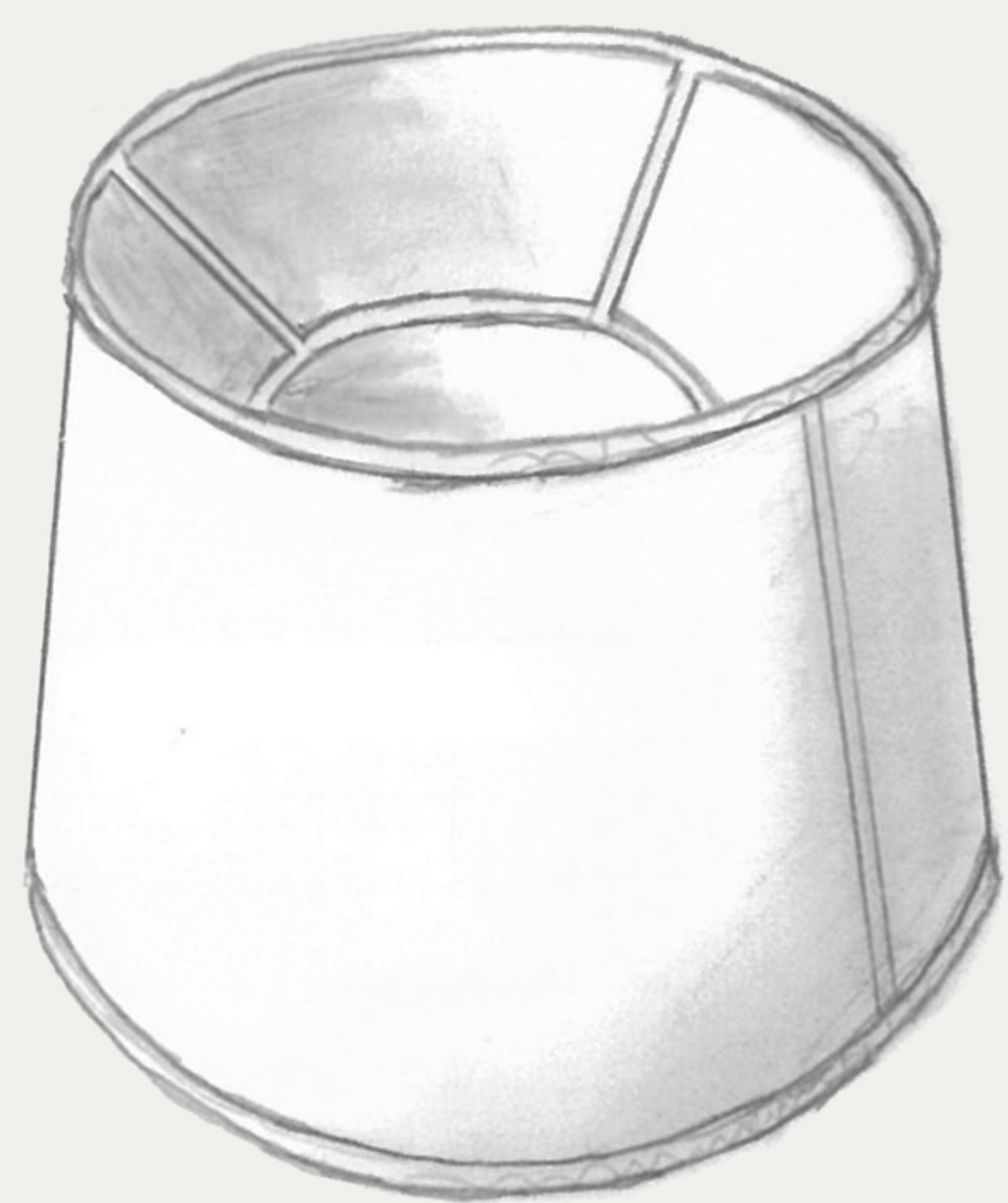
ES or BC Fitting

Our fixed gimble shades can be used with either type of light fitting

Shades 14" and Larger

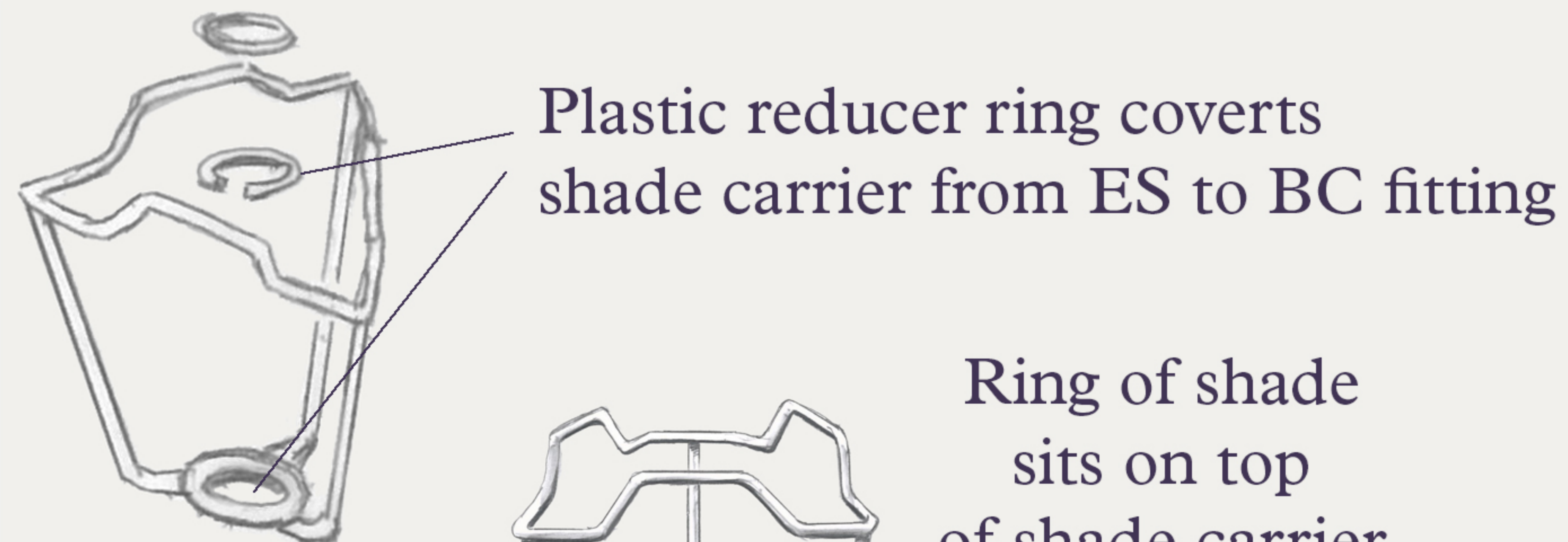
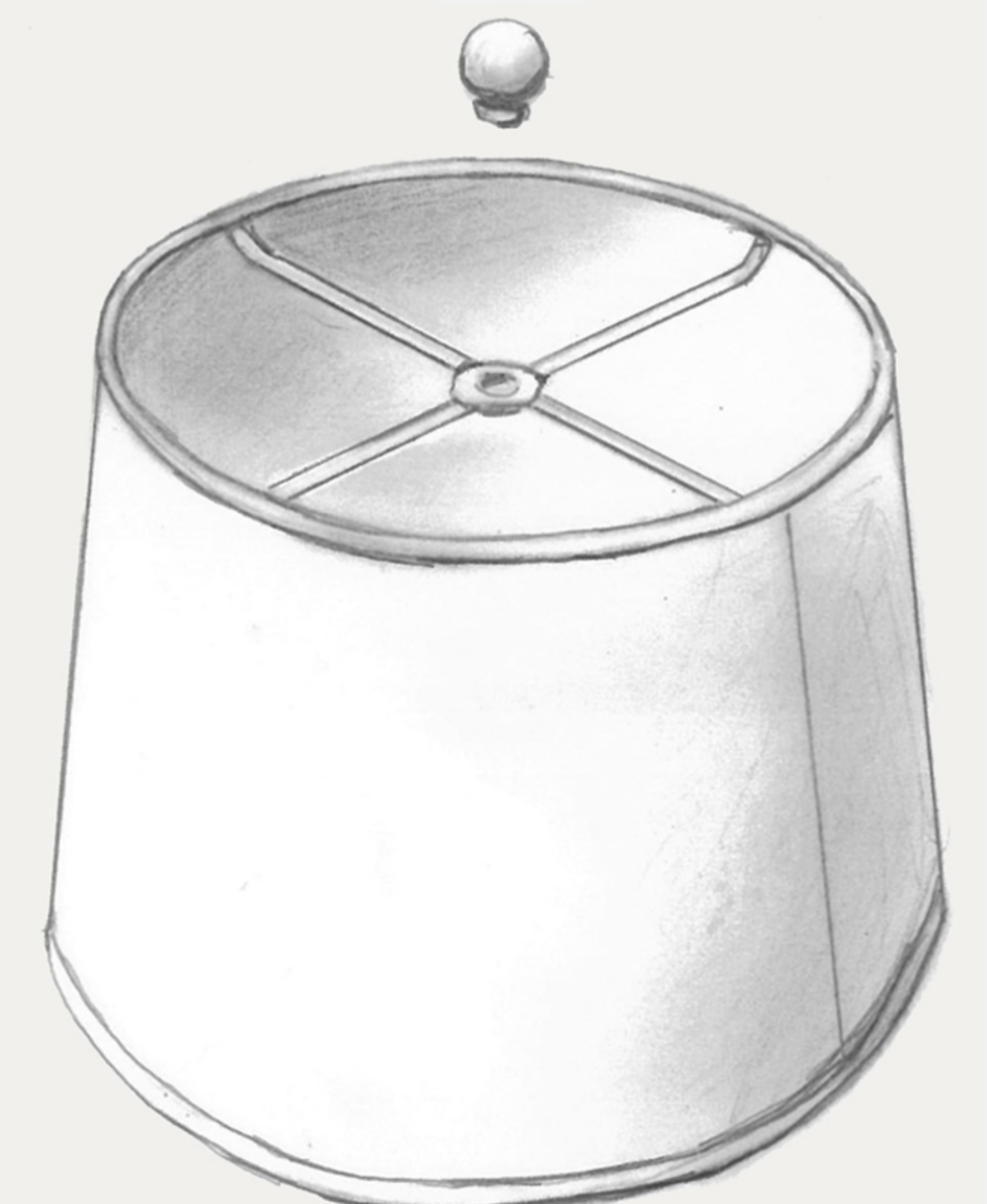
### Duplex Fitting UK/EU or Finial Fitting US

for table & floor lamps



**Duplex Fitting**  
The height that the lampshade sits on the lamp can be adjusted with a shade carrier (heights 4" to 12")

**Finial Fitting**  
The shade sits on top of a harp or adjustable rod with a finial then screwed on to keep the lampshade in position



Plastic reducer ring covers shade carrier from ES to BC fitting

Ring of shade sits on top of shade carrier



Double socket cluster with adjustable rod

Harp

Finial Types

